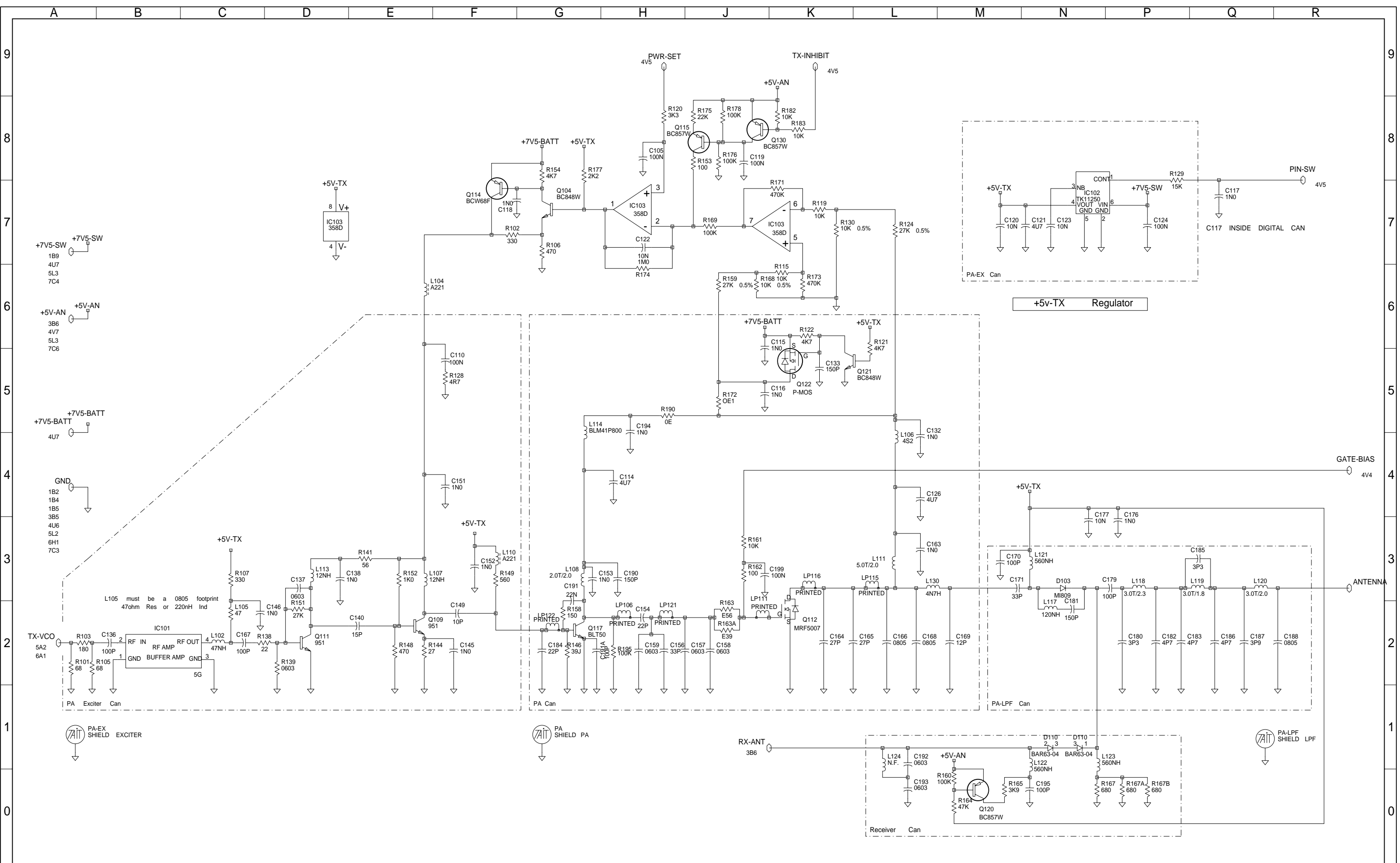


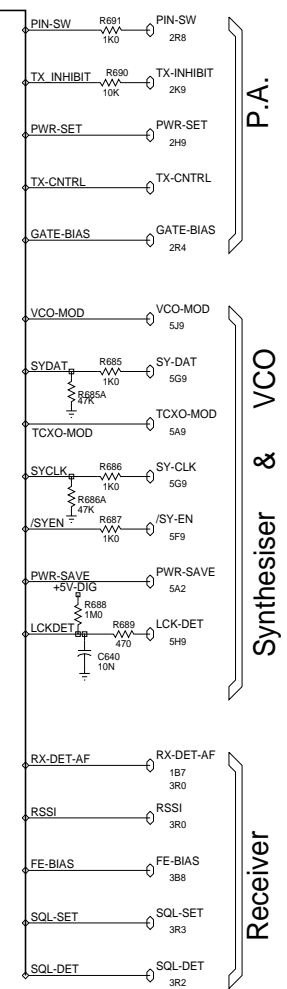
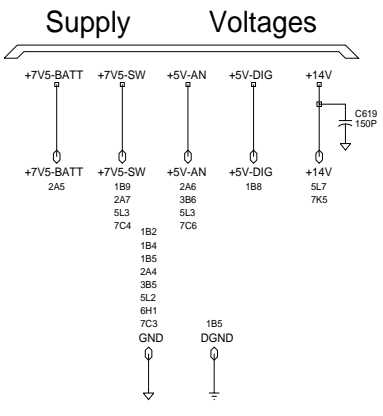
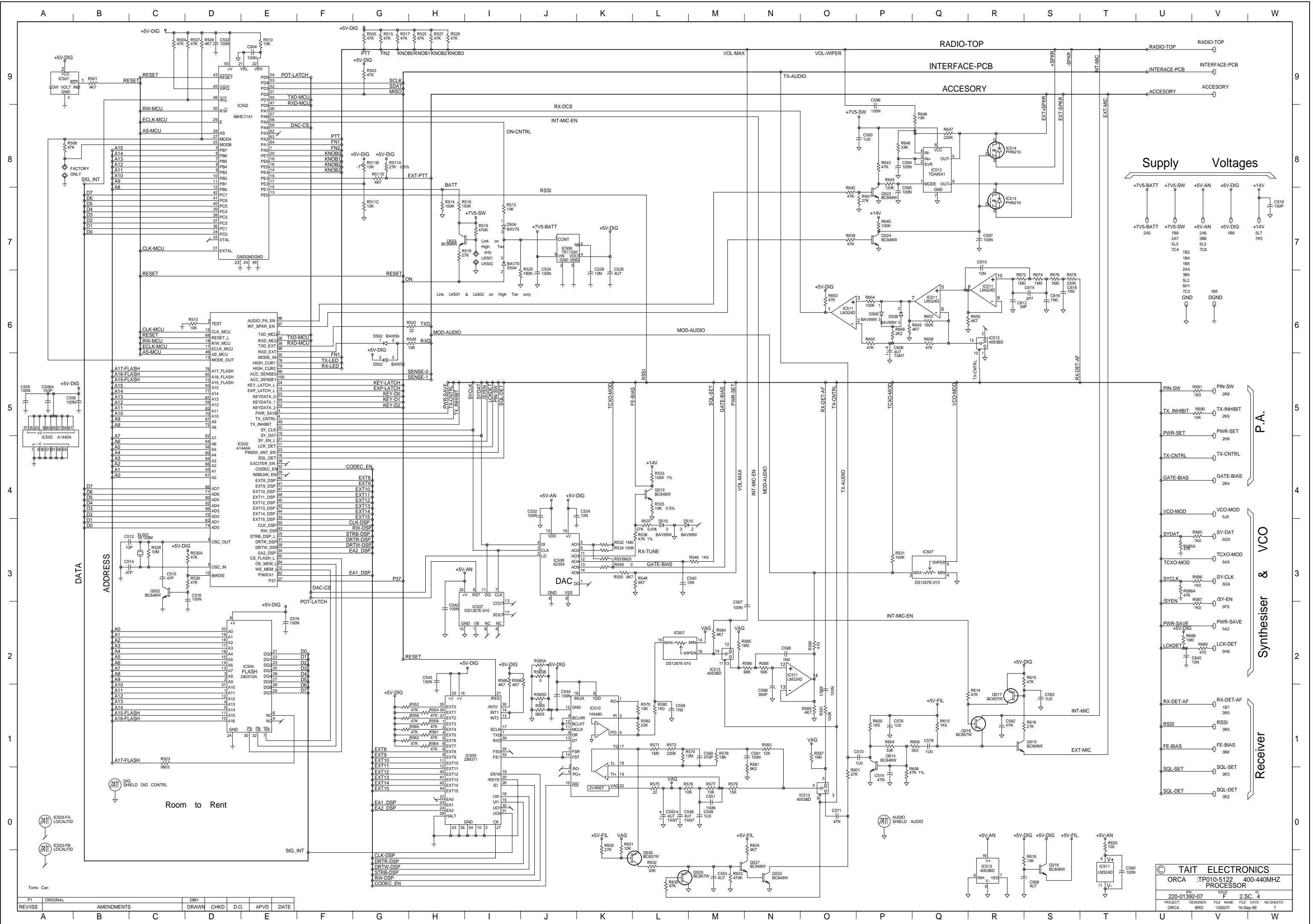
REV/ISS	AMENDMENTS	DRAWN	CHKD	D.O.	APVD	DATE
07F	CHGD SPRING PINS TO 356-01077-00 CCO 1392-002	TS				15-09-99
07E	CHANGED PASTE FOR SMALL TCXO	BRD				31-05-99
07D	CHANGED CAN NAMES TO MATCH BAAN	BRD				19-04-99
07C	ROTATED TANT C364 180 DEG500185	BRD				11-03-99
07C	CHANGED PASTE ON PA & PROB PINS	BRD				19-02-99
05	MOREUPDATES	DBH				
04	UPDATED AND MOVED AERIAL SOCKET	MAJ				
03 B	UPDATED VALUES ADDED CANS TO PLA	MAJ				

TAIT ELECTRONICS	
ORCA :TP010-5122 400-440MHZ SYSTEM DIAGRAM	
IPN: 220-01392-07	ID: F 2.S.C. 1
PROJECT: ORCA BRD	DESIGNER: 139207f
FILE NAME: 139207f	FILE DATE: 16-Sep-99
NO SHEETS: 7	



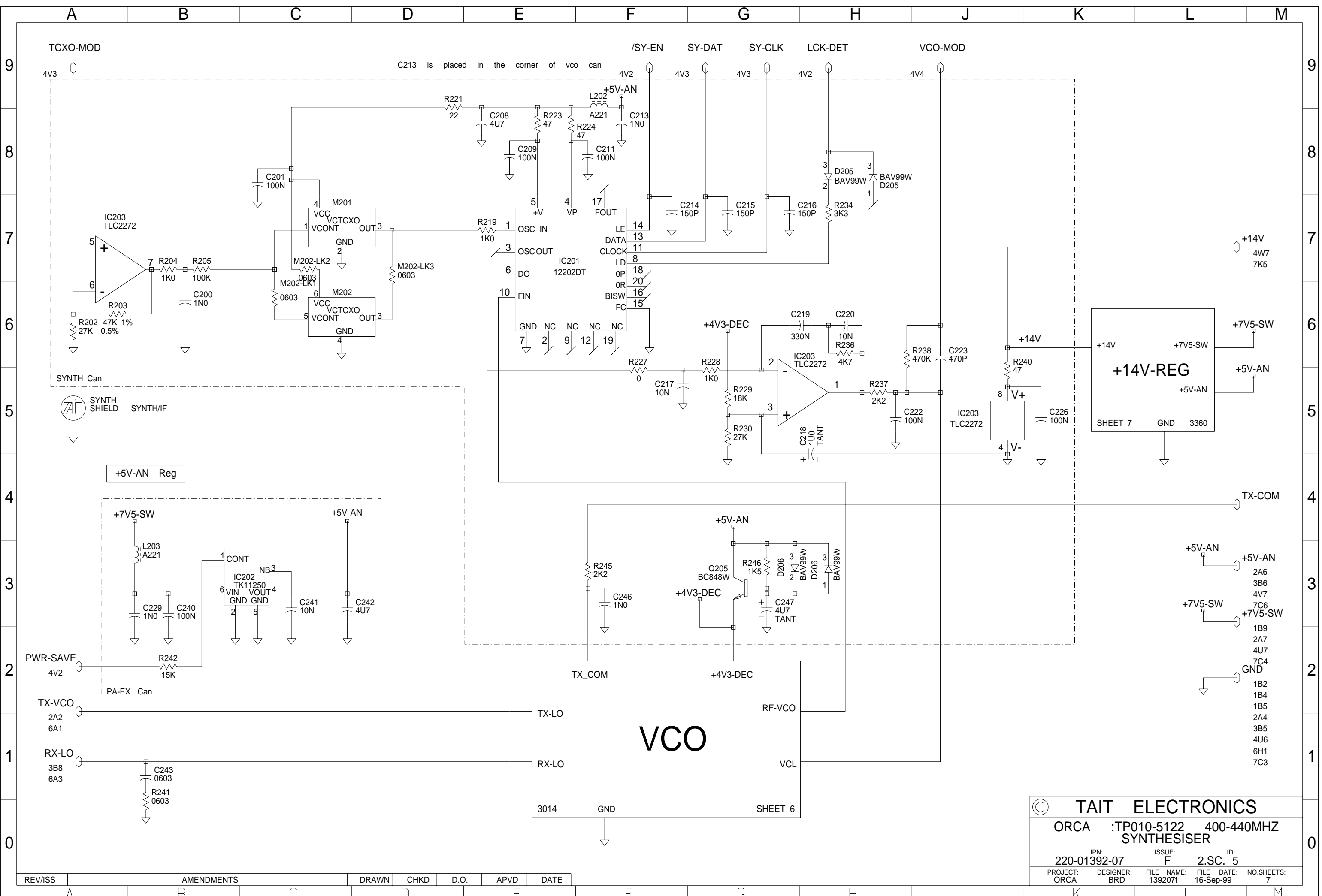
© TAIT ELECTRONICS
 ORCA :TP010-5122 400-440MHZ
 POWER AMPLIFIER
 IPN: 220-01392-07 ISSUE: F ID: 2.S.C. 2
 PROJECT: ORCA BRD 139207f FILE NAME: 16-Sep-99 NO.SHEETS: 7

REV/ISS	AMENDMENTS	DRAWN	CHKD	D.O.	APVD	DATE
A						



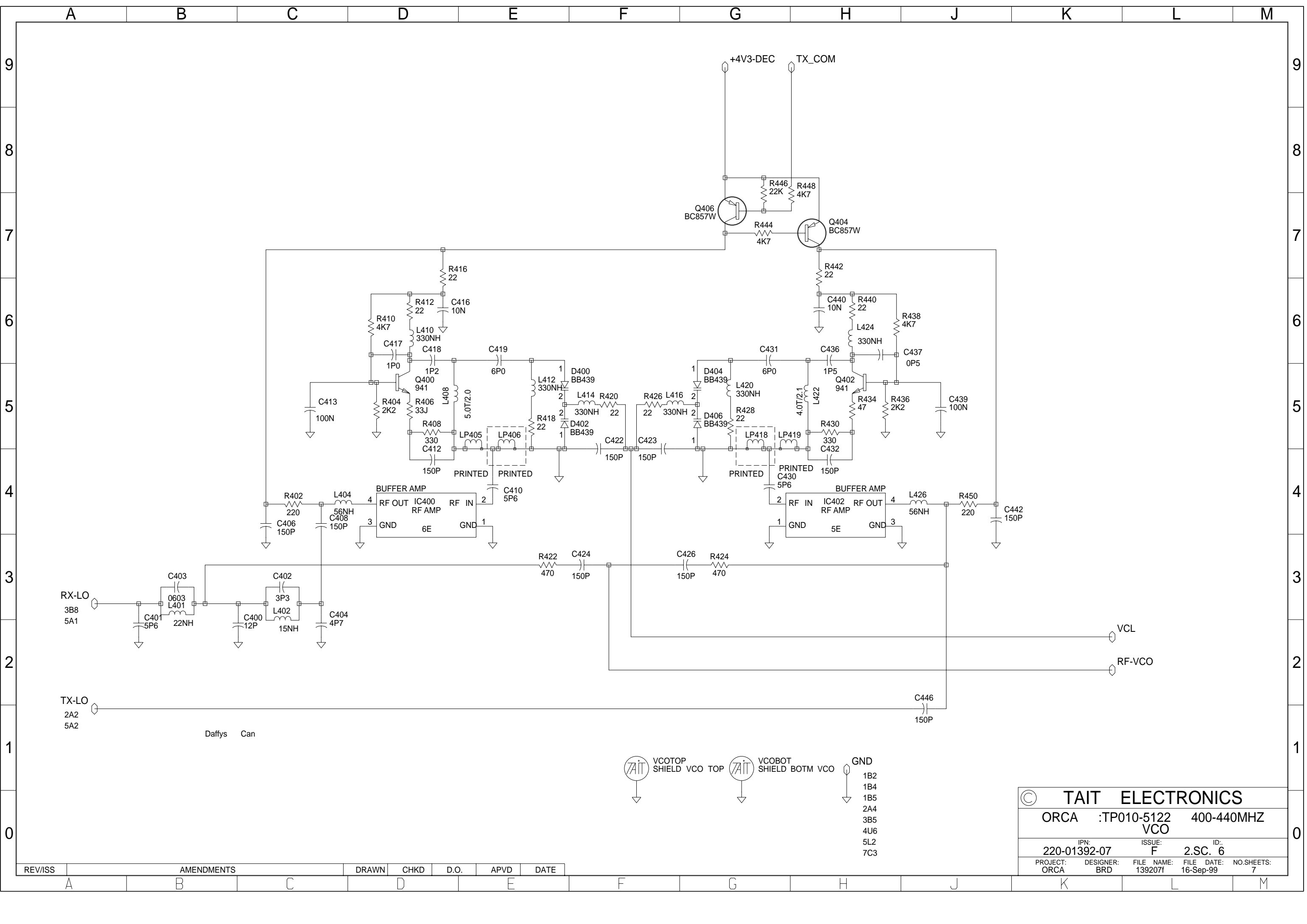
REV/ISS	ORIGINAL	AMENDMENTS	DRAWN	CHKD	D.O.	APVD	DATE
P1							

© TAIT ELECTRONICS
 ORCA :TP010-5122 400-440MHZ
 PROCESSOR
 220-01392-07 F 2-SC 4
 PRODUCT DESIGNER FILE NAME: FILE DATE: NO SHEETS
 ORCA BRD 1382071 16-Sep-99 7



© TAIT ELECTRONICS
 ORCA :TP010-5122 400-440MHZ SYNTHESISER
 IPN: 220-01392-07 ISSUE: F ID: 2.SC. 5
 PROJECT: ORCA DESIGNER: BRD FILE NAME: 139207f FILE DATE: 16-Sep-99 NO.SHEETS: 7

REV/ISS	AMENDMENTS	DRAWN	CHKD	D.O.	APVD	DATE



© TAIT ELECTRONICS

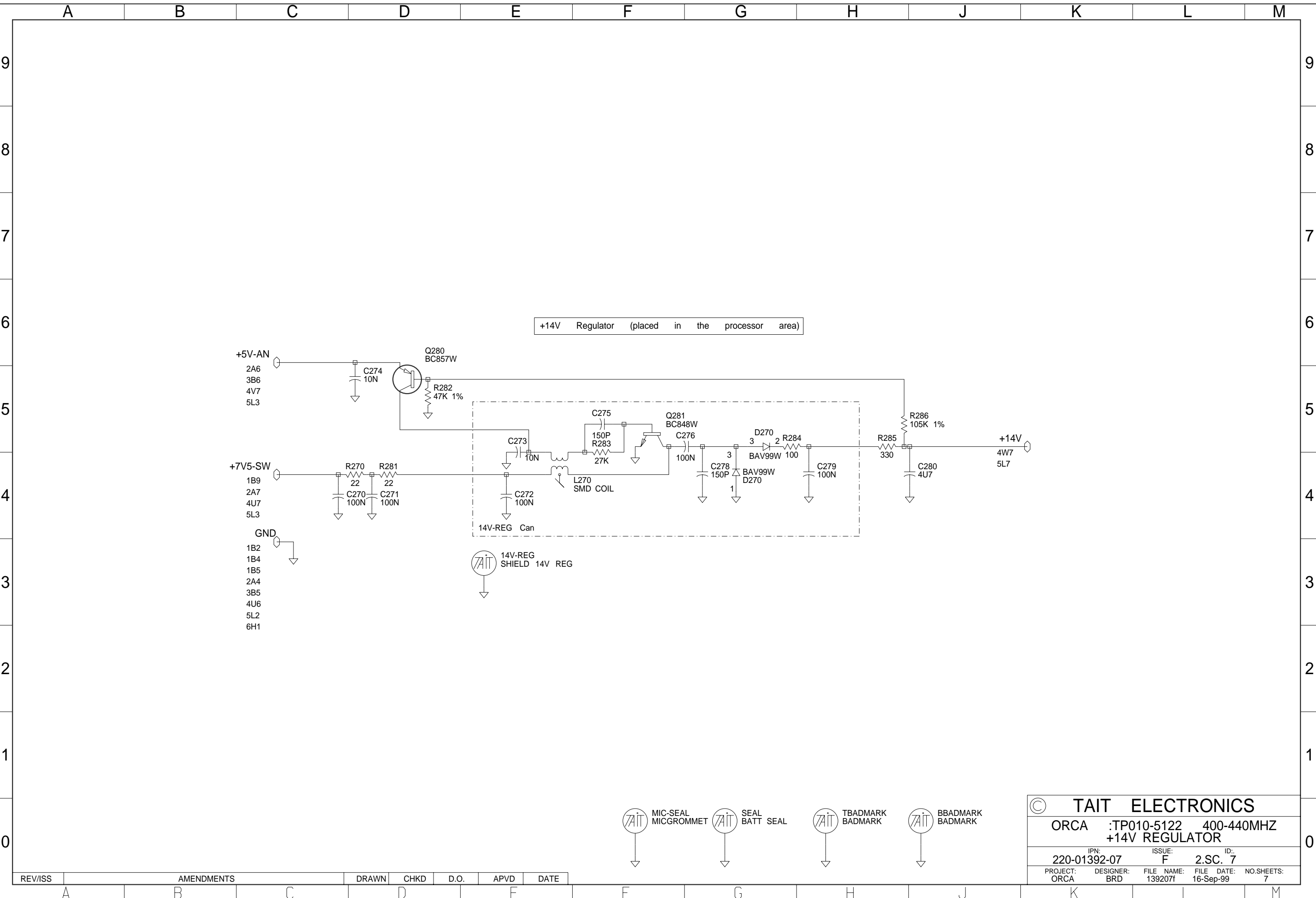
ORCA :TP010-5122 400-440MHZ
VCO

IPN: 220-01392-07 ISSUE: F ID: 2.SC. 6

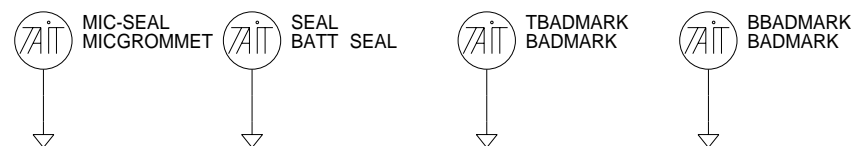
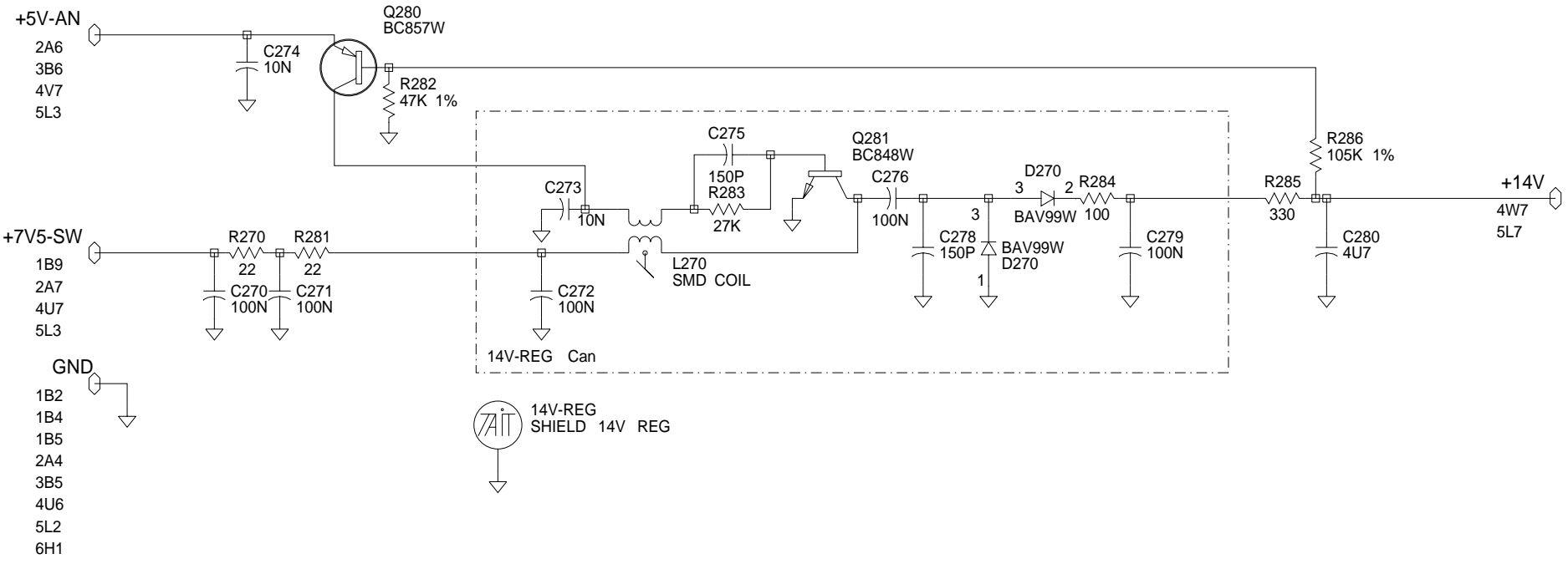
PROJECT: ORCA DESIGNER: BRD FILE NAME: 139207f FILE DATE: 16-Sep-99 NO.SHEETS: 7

REV/ISS	AMENDMENTS	DRAWN	CHKD	D.O.	APVD	DATE

- VCOTOP SHIELD VCO TOP
- VCOBOT SHIELD BOTM VCO
- GND
- 1B2
- 1B4
- 1B5
- 2A4
- 3B5
- 4U6
- 5L2
- 7C3

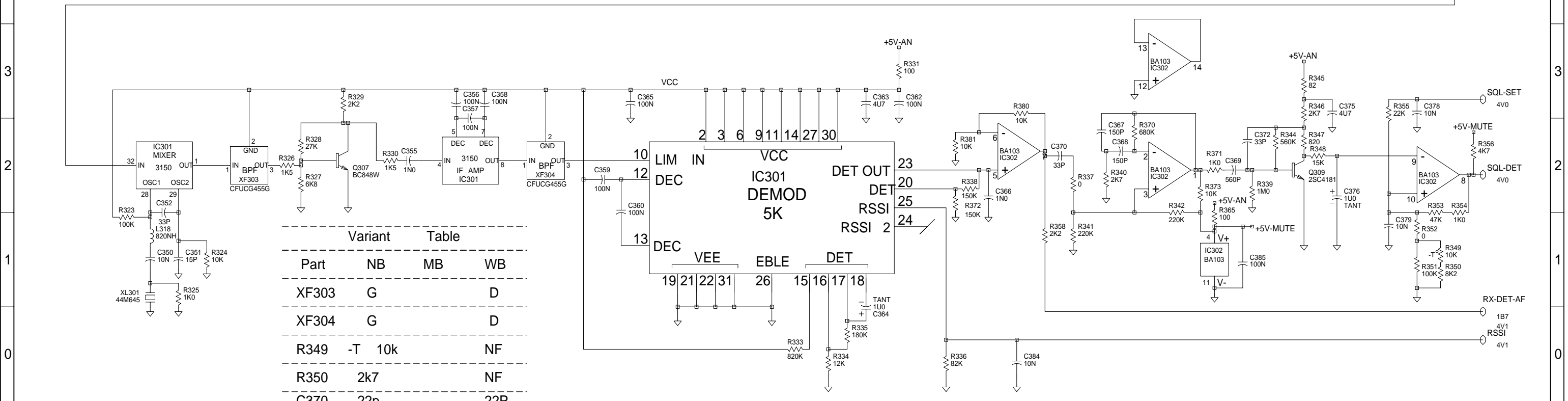
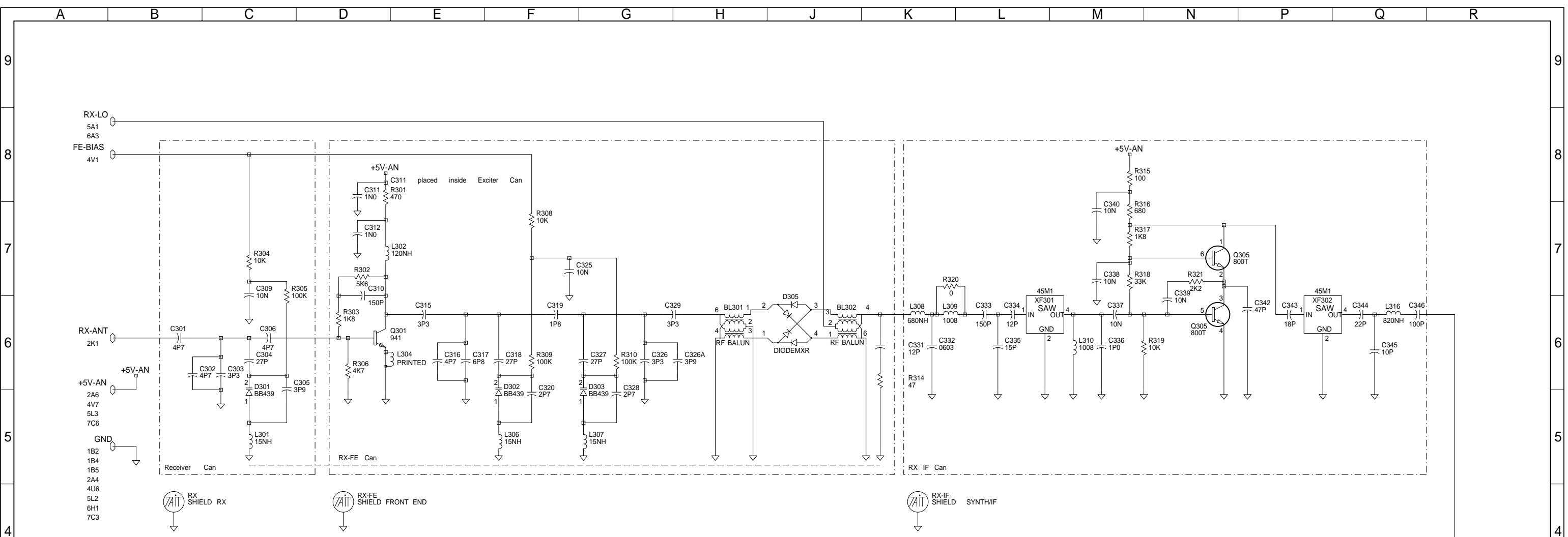


+14V Regulator (placed in the processor area)



© TAIT ELECTRONICS				
ORCA		:TP010-5122	400-440MHZ	
+14V REGULATOR				
IPN:		ISSUE:		ID:
220-01392-07		F		2.SC. 7
PROJECT:	DESIGNER:	FILE NAME:	FILE DATE:	NO.SHEETS:
ORCA	BRD	139207f	16-Sep-99	7

REV/ISS	AMENDMENTS			DRAWN	CHKD	D.O.	APVD	DATE
---------	------------	--	--	-------	------	------	------	------



Variant Table

Part	NB	MB	WB
XF303	G		D
XF304	G		D
R349	-T	10k	NF
R350	2k7		NF
C370	22p		22P
C369	330P		330P

© TAIT ELECTRONICS
 ORCA :TP010-5122 400-440MHZ RECEIVER
 IPN: 220-01392-07 ISSUE: F ID: 2.S.C. 3
 PROJECT: ORCA DESIGNER: BRD FILE NAME: 139207f DATE: 16-Sep-99 NO.SHEETS: 7

REV/ISS	AMENDMENTS	DRAWN	CHKD	D.O.	APVD	DATE
A						